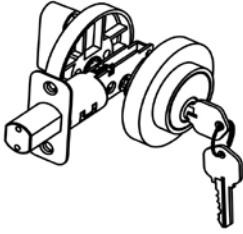
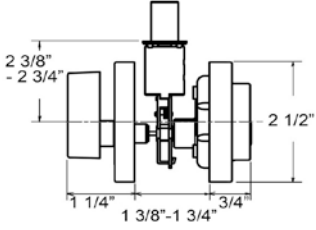
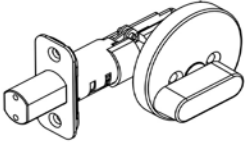
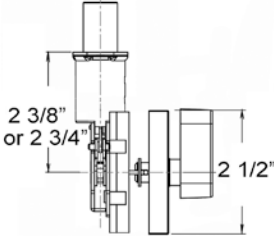
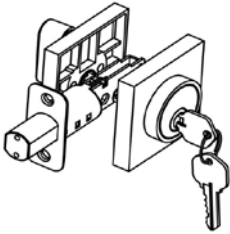
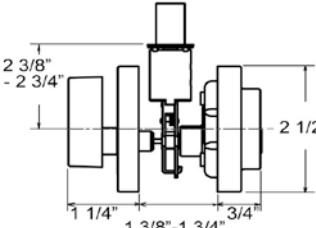
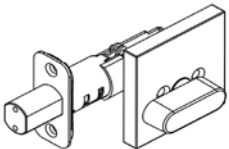
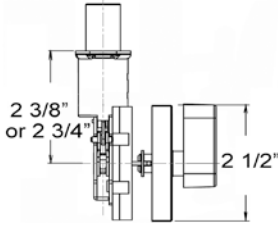


# BETTER HOME PRODUCTS

## LOW - PROFILE DEADBOLT SPECIFICATIONS

<p>Skyline Blvd Collection</p> 		<p><b>BHP</b> ITEM# SK10611DB Dark Bronze            SK10615SN Satin Nickel            SK10644BLK Matte Black            SK10688CH Chrome            SK10604SB Satin Brass</p> <p><b>Door Prep</b> - Crossbore 2 1/8", Edge Bore 1", Latch Face 1"x2 1/4"  <b>Door Thickness</b> - 1 3/8" to 1 3/4"  <b>Function:</b> Locked or unlocked by key out side or turn-piece inside. inside always free  <b>Cylinder</b> - 5 pin KW1 keyway. Other options available  <b>Strike</b> - Packed with 1 Pc 1 x 2 1/4" radius corner strike and 1 Pc full lip radius corner strike. Other options available  <b>Latch</b> - 1" throw bolt, 2 3/8" or 2 3/4" backset adjustable. Radius corner face plate standard. Other options available</p>
<p>Skyline Blvd Collection</p> 		<p><b>BHP</b> ITEM# SK10888CH Chrome            SK10815SN Satin Nickel            SK10811DB Dark Bronze            SK10844BLK Matte Black</p> <p><b>Door Prep</b> - One side bore 2 1/8" dia", Edge Bore 1".  <b>Door Thickness</b> - 1 3/8" to 1 3/4"  <b>Function:</b> Locked or unlocked by turn-piece inside.  <b>Strike</b> - Packed with 1 Pc 1 x 2 1/4" radius corner strike and 1 Pc full lip radius corner strike. Other options available  <b>Latch</b> - 1" throw bolt, 2 3/8" or 2 3/4" backset adjustable. Radius corner face plate standard. Other options available</p>
<p>Tiburon Collection</p> 		<p><b>BHP</b> ITEM# TIB10611DB Dark Bronze            TIB10615SN Satin Nickel            TIB10644BLK Matte Black            TIB10688CH Chrome            TIB10604SB Satin Brass</p> <p><b>Door Prep</b> - Crossbore 2 1/8", Edge Bore 1", Latch Face 1"x2 1/4"  <b>Door Thickness</b> - 1 3/8" to 1 3/4"  <b>Function:</b> Locked or unlocked by key out side or turn-piece inside. inside always free  <b>Cylinder</b> - 5 pin KW1 keyway. Other options available  <b>Strike</b> - Packed with 1 Pc 1 x 2 1/4" radius corner strike and 1 Pc full lip radius corner strike. Other options available  <b>Latch</b> - 1" throw bolt, 2 3/8" or 2 3/4" backset adjustable. Radius corner face plate standard. Other options available</p>
<p>Tiburon Collection</p> 		<p><b>BHP</b> ITEM# TIB10888CH Chrome            TIB10815SN Satin Nickel            TIB10811DB Dark Bronze            TIB10844BLK Matte Black</p> <p><b>Door Prep</b> - One side bore 2 1/8", Edge Bore 1"  <b>Door Thickness</b> - 1 3/8" to 1 3/4"  <b>Function:</b> Locked or unlocked by turn-piece inside.  <b>Strike</b> - Packed with 1 Pc 1 x 2 1/4" radius corner strike and 1 Pc full lip radius corner strike. Other options available  <b>Latch</b> - 1" throw bolt, 2 3/8" or 2 3/4" backset adjustable. Radius corner face plate standard. Other options available</p>