


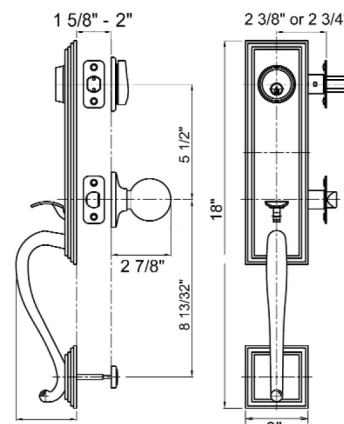
BETTER HOME PRODUCTS

HANDLESET SPECIFICATIONS

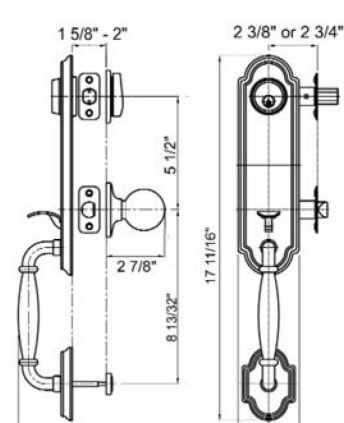
NOB HILL COLLECTION

		<p>BHP ITEM#: 89888CH, 69815SN, 39811DB</p> <p>Door Prep - Crossbore 2 1/8", edge bore 1", latch face 1" x 2 1/4", bottom bolt hole 3/8"</p> <p>Door Thickness - 5/8" to 2". Up to 2 1/4" with optional BHP thick door kit</p> <p>Function - Deadbolt locked or unlocked by key outside or turn-piece inside. Inside always free. Passage knob and thumb latch always free</p> <p>Strikes - 1 Pc 1" x 2 1/4" radius corner and 1 Pc full lip radius corner for Deadbolt. 1 Pc full lip radius corner for Passage</p> <p>Latches - 1 Pc 1" throw radius corner 2 3/8" - 2 3/4" adj. Deadbolt latch. 1 Pc 1/2" throw 2 3/8" and 1 Pc 2 3/4" radius corner Passage latch</p> <p>Door Handing - Adjustable</p> <p>Interior Trim: Ball knob standard. Fits all other BHP knob and lever trim</p> <p>Available Finishes - Chrome(CH), Satin Nickel(SN), Dark Bronze(DB) and Black(BLK)</p>
---	---	---

UNION SQUARE COLLECTION

		<p>BHP ITEM#: 44888CH, 44815SN, 44811DB</p> <p>Door Prep - Crossbore 2 1/8", edge Bore 1", latch face 1" x 2 1/4", bottom bolt hole 3/8"</p> <p>Door Thickness - 1 5/8" to 2". Up to 2 1/4" with optional BHP thick door kit</p> <p>Function - Deadbolt locked or unlocked by key outside or turn-piece inside. Inside always free. Passage knob and thumb latch always free</p> <p>Strikes - 1 Pc 1" x 2 1/4" radius corner and 1 Pc full lip radius corner for Deadbolt. 1 Pc full lip radius corner for Passage</p> <p>Latches - 1 Pc 1" throw radius corner 2 3/8" - 2 3/4" adj. Deadbolt latch. 1 Pc 1/2" throw 2 3/8" and 1 Pc 2 3/4" radius corner Passage latch</p> <p>Door Handing - Adjustable</p> <p>Interior Trim: Ball knob standard. Fits all other BHP knob and lever trim</p> <p>Available Finishes - Chrome(CH), Satin Nickel(SN), Dark Bronze(DB)</p>
--	--	--

SEA CLIFF COLLECTION

		<p>BHP ITEM#: 22815SN, 22811DB</p> <p>Door Prep - Crossbore 2 1/8", edge bore 1", latch face 1" x 2 1/4", bottom bolt hole 3/8"</p> <p>Door Thickness - 1 5/8" to 2". Up to 2 1/4" with optional BHP thick door kit</p> <p>Function - Deadbolt locked or unlocked by key outside or turn-piece inside. Inside always free. Passage knob and thumb latch always free</p> <p>Strikes - 1 Pc 1" x 2 1/4" radius corner and 1 Pc full lip radius corner for Deadbolt. 1 Pc full lip radius corner for Passage</p> <p>Latches - 1 Pc 1" throw radius corner 2 3/8" - 2 3/4" adj. Deadbolt latch. 1 Pc 1/2" throw 2 3/8" and 1 Pc 2 3/4" radius corner Passage latch</p> <p>Door Handing - Adjustable</p> <p>Interior Trim: Ball knob standard. Fits all other BHP knob and lever trim</p> <p>Available Finishes - Chrome(CH), Satin Nickel(SN), Dark Bronze(DB), Black(BLK)</p>
---	---	---