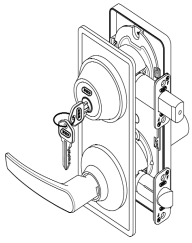
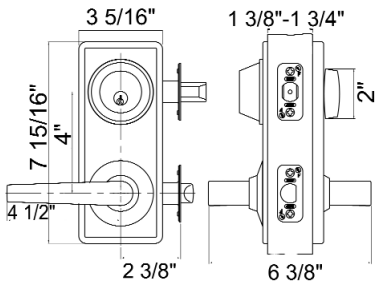
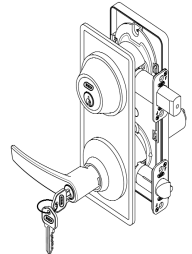
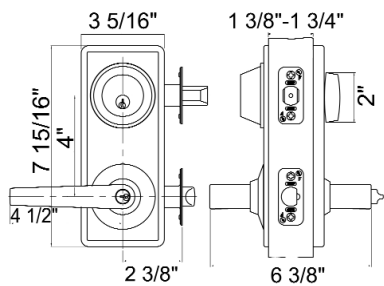


# BETTER HOME PRODUCTS

## INTERCONNECT LOCKSET SPECIFICATIONS

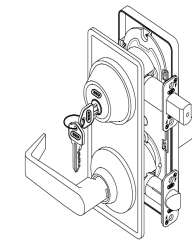
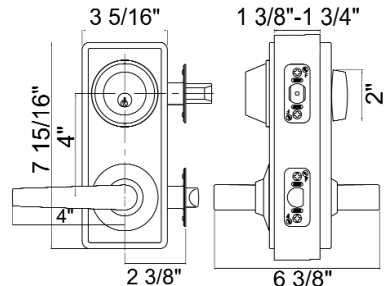
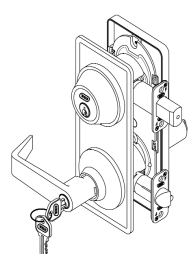
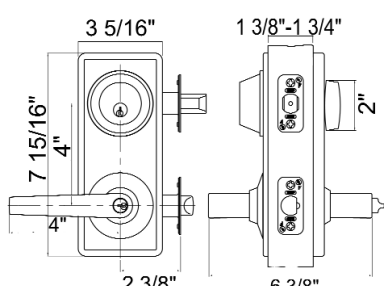
### SOMA IV COLLECTION - SATIN NICKEL

ANSI Grade 2. UL Listed 3 Hour Fire Rating

		<p><b>BHP</b> ITEM# IC25415SN - Deadbolt &amp; Passage Set</p> <p><b>Door Prep</b> - Crossbore 2 1/8", Edge Bore 1", Latch Face 1" x 2 1/4"  <b>Door Thickness</b> - 1 3/8" to 1 3/4"  <b>Function</b> - Both levers always free. Deadbolt locked by key or turn button, unlocked by key, by turn button or by inside lever  <b>Strikes</b> - 1 Pc 1" x 2 1/4" radius corner and 1 Pc full lip radius corner for Deadbolt. 1 Pc full lip radius corner for Passage  <b>Latches</b> - 1 Pc 1" throw radius corner 2 3/8" backset Deadbolt latch and 1 Pc 1/2" throw 2 3/8" backset radius corner Passage latch  <b>Door Handing</b> - Non-Handed</p>
		<p><b>BHP</b> ITEM# IC25815SN - Deadbolt &amp; Entry Set</p> <p><b>Door Prep</b> - Crossbore 2 1/8", Edge Bore 1", Latch Face 1" x 2 1/4"  <b>Door Thickness</b> - 1 3/8" to 1 3/4"  <b>Function</b> - Lever locked by key or inside push button, unlocked by key or inside lever. Deadbolt locked by key or turn button, unlocked by key, by turn button or by inside lever. Inside lever always free  <b>Strikes</b> - 1 Pc 1" x 2 1/4" radius corner and 1 Pc full lip radius corner for Deadbolt. 1 Pc full lip radius corner for Entry  <b>Latches</b> - 1 Pc 1" throw radius corner 2 3/8" backset Deadbolt latch and 1 Pc 1/2" throw radius corner 2 3/8" backset Entry latch  <b>Door Handing</b> - Non-Handed</p>

### CANDLESTICK COLLECTION - SATIN NICKEL

ANSI Grade 2. UL Listed 3 Hour Fire Rating

		<p><b>BHP</b> ITEM# IC45415SN - Deadbolt &amp; Passage Set</p> <p><b>Door Prep</b> - Crossbore 2 1/8", Edge Bore 1", Latch Face 1" x 2 1/4"  <b>Door Thickness</b> - 1 3/8" to 1 3/4"  <b>Function</b> - Both levers always free. Deadbolt locked by key or turn button, unlocked by key, by turn button or by inside lever  <b>Strikes</b> - 1 Pc 1" x 2 1/4" radius corner and 1 Pc full lip radius corner for Deadbolt. 1 Pc full lip radius corner for Passage  <b>Latches</b> - 1 Pc 1" throw radius corner 2 3/8" backset Deadbolt latch and 1 Pc 1/2" throw radius corner 2 3/8" backset Passage latch  <b>Door Handing</b> - Non-Handed</p>
		<p><b>BHP</b> ITEM# IC45815SN - Deadbolt &amp; Entry Set</p> <p><b>Door Prep</b> - Crossbore 2 1/8", Edge Bore 1", Latch Face 1" x 2 1/4"  <b>Door Thickness</b> - 1 3/8" to 1 3/4"  <b>Function</b> - Lever locked by key or inside push button, unlocked by key or inside lever. Deadbolt locked by key or turn button, unlocked by key, by turn button or by inside lever. Inside lever always free  <b>Strikes</b> - 1 Pc 1" x 2 1/4" radius corner and 1 Pc full lip radius corner for Deadbolt. 1 Pc full lip radius corner for Entry  <b>Latches</b> - 1 Pc 1" throw radius corner 2 3/8" backset Deadbolt latch and 1 Pc 1/2" throw radius corner 2 3/8" backset Entry latch  <b>Door Handing</b> - Non-Handed</p>

# BETTER HOME PRODUCTS

## INTERCONNECT LOCKSET SPECIFICATIONS

DIAMOND HEIGHTS IV COLLECTION - SATIN NICKEL  
DIAMOND HEIGHTS VI COLLECTION - DARK BRONZE

ANSI Grade 2. UL Listed 3 Hour Fire Rating

		<p><b>BHP</b> ITEM# IC56415SN - Deadbolt &amp; Passage Set ITEM# IC06411DB - Deadbolt &amp; Passage Set</p> <p><b>Door Prep</b> - Crossbore 2 1/8", Edge Bore 1", Latch Face 1" x 2 1/4" <b>Door Thickness</b> - 1 3/8" to 1 3/4"</p> <p><b>Function</b> - Both levers always free. Deadbolt locked by key or turn button, unlocked by key, by turn button or by inside lever</p> <p><b>Strikes</b> -1 Pc 1" x 2 1/4" radius corner and 1 Pc full lip radius corner for Deadbolt. 1 Pc full lip radius corner for Passage</p> <p><b>Latches</b> -1 Pc 1" throw radius corner 2 3/8" backset Deadbolt latch and 1 Pc 1/2" throw 2 3/8" backset radius corner Passage latch</p> <p><b>Door Handing</b> - Non-Handed</p>
		<p><b>BHP</b> ITEM# IC56815SN - Deadbolt &amp; Entry Set ITEM# IC06811DB - Deadbolt &amp; Entry Set</p> <p><b>Door Prep</b> - Crossbore 2 1/8", Edge Bore 1", Latch Face 1" x 2 1/4" <b>Door Thickness</b> - 1 3/8" to 1 3/4"</p> <p><b>Function</b> - Lever locked by key or inside push button, unlocked by key or inside lever. Deadbolt locked by key or turn button, unlocked by key, by turn button or by inside lever. Inside lever always free</p> <p><b>Strikes</b> -1 Pc 1" x 2 1/4" radius corner and 1 Pc full lip radius corner for Deadbolt. 1 Pc full lip radius corner for Entry</p> <p><b>Latches</b> -1 Pc 1" throw radius corner 2 3/8" backset Deadbolt latch and 1 Pc 1/2" throw radius corner 2 3/8" backset Entry latch</p> <p><b>Door Handing</b> - Non-Handed</p>

TWIN PEAKS IV COLLECTION - SATIN NICKEL

ANSI Grade 2. UL Listed 3 Hour Fire Rating

		<p><b>BHP</b> ITEM# IC55415SNRT - Deadbolt &amp; Passage Set - Right Hand</p> <p><b>Door Prep</b> - Crossbore 2 1/8", Edge Bore 1", Latch Face 1" x 2 1/4" <b>Door Thickness</b> - 1 3/8" to 1 3/4"</p> <p><b>Function</b> - Both levers always free. Deadbolt locked by key or turn button, unlocked by key, by turn button or by inside lever</p> <p><b>Strikes</b> -1 Pc 1" x 2 1/4" radius corner and 1 Pc full lip radius corner for Deadbolt. 1 Pc full lip radius corner for Passage</p> <p><b>Latches</b> -1 Pc 1" throw radius corner 2 3/8" backset Deadbolt latch and 1 Pc 1/2" throw radius corner 2 3/8" backset Passage latch</p> <p><b>Door Handing</b> - Handed</p>
		<p><b>BHP</b> ITEM# IC55415SNLT - Deadbolt &amp; Passage Set - Left Hand</p> <p><b>Door Prep</b> - Crossbore 2 1/8", Edge Bore 1", Latch Face 1" x 2 1/4" <b>Door Thickness</b> - 1 3/8" to 1 3/4"</p> <p><b>Function</b> - Both levers always free. Deadbolt locked by key or turn button, unlocked by key, by turn button or by inside lever</p> <p><b>Strikes</b> -1 Pc 1" x 2 1/4" radius corner and 1 Pc full lip radius corner for Deadbolt. 1 Pc full lip radius corner for Passage</p> <p><b>Latches</b> -1 Pc 1" throw radius corner 2 3/8" backset Deadbolt latch and 1 Pc 1/2" throw radius corner 2 3/8" backset Passage latch</p> <p><b>Door Handing</b> - Handed</p>