

BETTER HOME PRODUCTS

200 SERIES HYDRAULIC DOOR CLOSERS



Lifetime Mechanical Warranty and 5 Year Finish Warranty

- * Full Feature Mult Size Commercial Door Closer
- * ANSI 156.4 Grade 1. UL 10C 3 Hour Fire Rated
- * Hardened Steel Rack and Pinion Mechanism
- * High Tensile Precision Cast Aluminum Housing
- * Needle Bearing
- * Adjustable Power Size 1 Thru 4 (Preset Size 1), 3 Thru 6 (Preset Size 3) or 1 Thru 6 (Preset Size 3)
- * Barrier Free (Power Size 1 thru 4 and 1 thru 6 models). Lower Opening Resistance for the Handicapped or Elderly
- * Full Plastic Cover Standard
- * Packed With Full Set of Sex Bolts and Parallel Arm Bracket

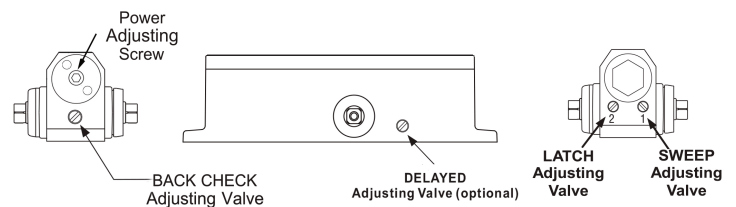
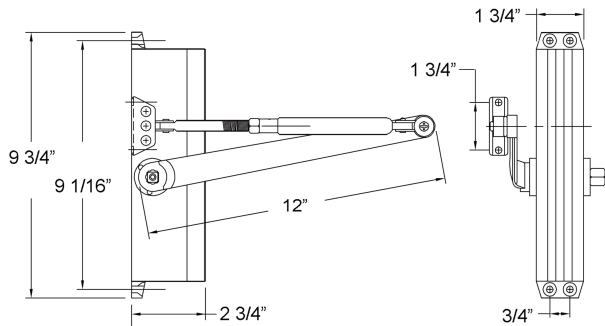
ITEM NUMBERS:

- DC214BCSN - Satin Nickel (Aluminum) Finish. Adjustable Power Size 1 Thru 4
- DC236BCSN - Satin Nickel (Aluminum) Finish. Adjustable Power Size 3 Thru 6
- DC216BCDASN - Satin Nickel (Aluminum) Finish. Adjustable Power Size 1 Thru 6. Delayed Action (DA)
- DC214BCBLK - Matte Black Finish. Adjustable Power Size 1 Thru 4
- DC236BCBLK - Matte Black Finish. Adjustable Power Size 3 Thru 6
- DC216BCDABLK - Matte Black Finish. Adjustable Power Size 1 Thru 6. Delayed Action Function (DA)



FEATURES:

- * Universal Application. Non-Handed for Standard, Top Jamb or Parallel Arm Installation
- * Standard Adjustable Back-Check Function (BC)
- * Optional Delayed Action Function (DA)
- * Adjustable Closing and Latching Speed by Two Separate Regulating Valves
- * For Use on Metal, Wood or Fiberglass Doors
- * Door Weight Range from 30 - 260 lbs.



CROSS REFERENCE

CLOSER ADJUSTMENT

BHP	CALROYAL	NORTON	YALE	SARGENT	LCN
200	300/500	1600	50	1130	1070/1370