

# BETTER HOME PRODUCTS

## 400 SERIES HYDRAULIC DOOR CLOSERS



Lifetime Mechanical Warranty and 5 Year Finish Warranty

- \* Cast Iron Body Heavy Duty Full Feature Commercial Door Closer for Commercial and Institutional Application.
- \* 2 Million Cycles in Endurance. Meeting the Highest Industry Standards
- \* Precision Heavy Duty Rack & Pinion Gear. Needle Bearing
- \* Adjustable Power Size 1 thru 6. Factory Preset Power Size 3
- \* ANSI 156.4 Grade 1. UL 10C 3 Hour Fire Rated
- \* Barrier Free. Lower Opening Resistance for the Handicapped or Elderly
- \* Full Plastic Cover Standard.
- \* Packed With Full Set of Sex Bolts and Parallel Arm Bracket



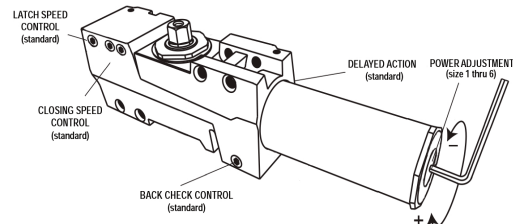
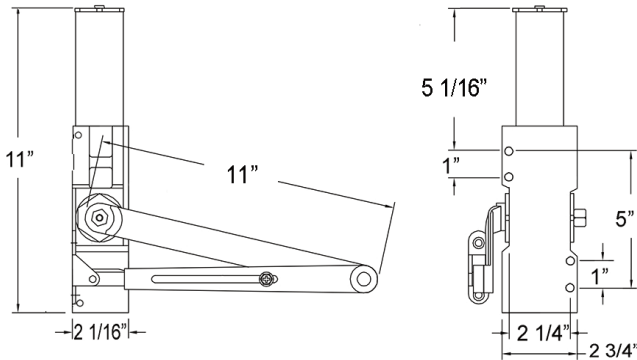
### ITEM NUMBERS:

DC416BCDASN - Satin Nickel (Aluminum) Finish With Plastic Cover.

DC416BCDABLK - Matte Black Finish With Plastic Cover

### FEATURES

- \* Universal Application. Non-Handed for Standard, Top Jamb or Parallel Arm Installation
- \* Standard Adjustable Back-Check Function (BC)
- \* Standard Adjustable Delayed Action Function (DA)
- \* Adjustable Closing and Latching Speed by Two Separate Regulating Valves
- \* Barrier Free. Meets ADA Regulations
- \* For Use on Metal, Wood or Fiberglass Doors
- \* Door Weight Range from 30 - 260 Lbs



### CROSS REFERENCE

BHP	CALROYAL	NORTON	YALE	DORMA	LCN
400	CR441	9500	4400	8900	4041

### CLOSER ADJUSTMENT