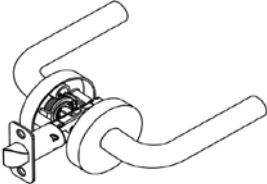
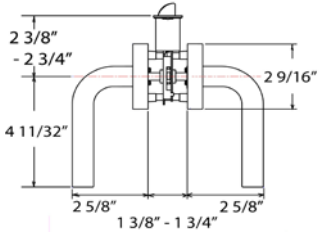
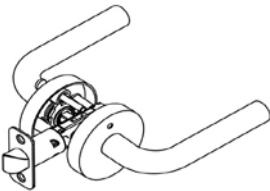
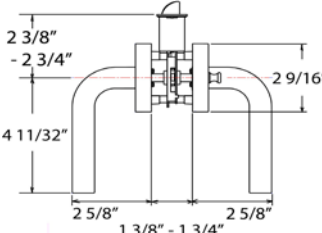

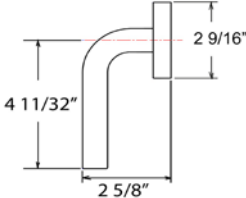

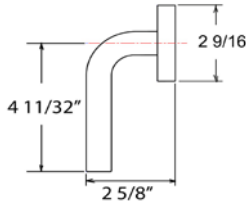


BETTER HOME PRODUCTS

FISHERMEN'S WHARF COLLECTION SPECIFICATIONS

DARK BRONZE FINISH

		<p>BHP ITEM# 04111DB - Passage Set</p> <p>Grade III tubular passage set. Solid zinc cast construction. Door Prep - Crossbore 2 1/8", Edge Bore 1", Latch Face 1"x2 1/4" Door Thickness - 1 3/8" to 1 3/4" Function: Both levers always free Strike - Full lip radius corner standard. Other options available Latch - 1/2" throw bolt, 2 3/8" or 2 3/4" backset adjustable. Radius corner face plate standard. Other options available Door Handing - Non-handed</p>
		<p>BHP ITEM# 042111DB - Privacy Set</p> <p>Grade III tubular privacy set. Solid zinc cast construction. Door Prep - Crossbore 2 1/8", Edge Bore 1", Latch Face 1"x2 1/4" Door Thickness - 1 3/8" to 1 3/4" Function - Outside lever locked by push button inside, inside lever always free. Also can be opened by emergency key out side Strike - Full lip radius corner standard. Other options available Latch - 1/2" throw bolt, 2 3/8" or 2 3/4" backset adjustable. Radius corner face plate standard. Other options available Door Handing - Reversible for right or left hand doors</p>
		<p>BHP ITEM# 04311DB - Dummy Lever</p> <p>Grade III dummy lever. Solid zinc cast construction. Door Prep - Surface mounted with 2 exposed mounting screws. No door prep needed Door Thickness - greater than 1" Function: Active lever, for doors where only a pull / push is required. Door Handing - Non-handed</p>
		<p>BHP ITEM# 04911DB - Trim Lever</p> <p>Grade III handleset trim lever, works for all BHP offering handlesets. Solid zinc cast construction. Door Prep - See BHP handleset door prep Door Thickness - 1 5/8" to 2" Function: Lever always free Door Handing - Non-handed</p>