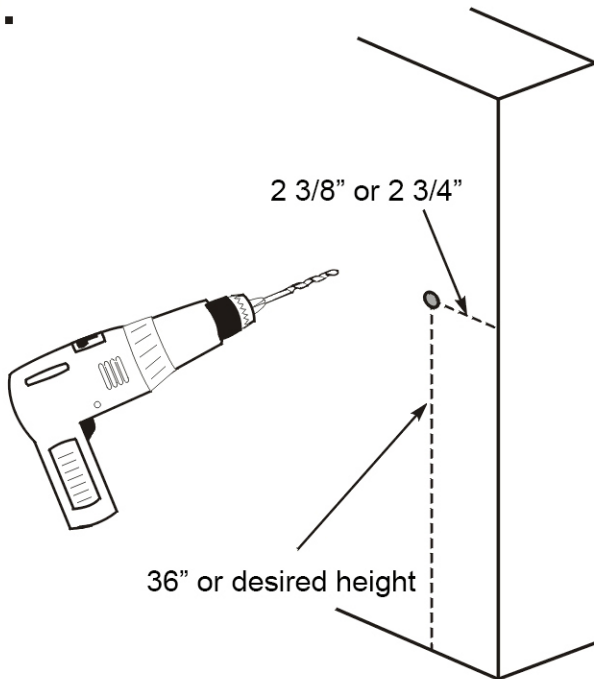




BETTER HOME PRODUCTS

Installation Instructions for Dummy Knobs

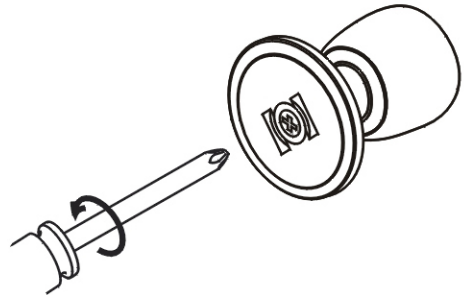
1.



Choose desired height (usually 36") on door for the knob. At this height mark the door 2 3/8" or 2 3/4" from door edge.

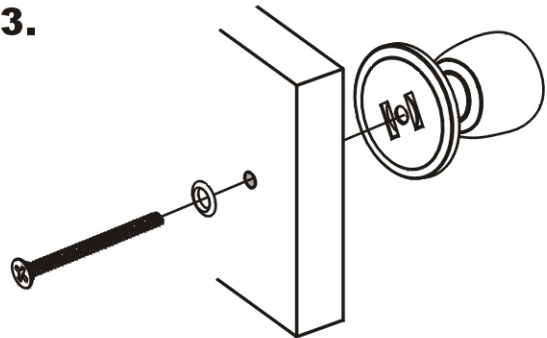
Drill a 3/8 inch hole through door.

2.



On backside of knob, remove bolt and washer with a screwdriver.

3.



With bolt head and washer on inside of door, attach knob on outside.

(2 - sided threaded bolt for front and back dummy applications available upon request)