
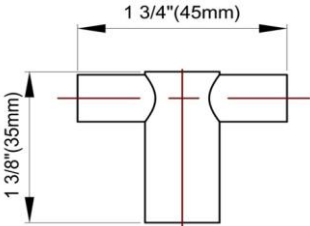
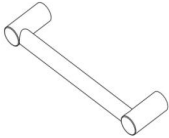
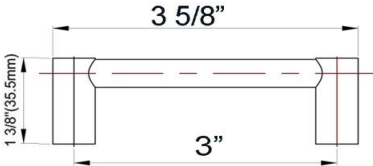
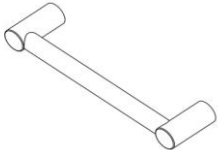
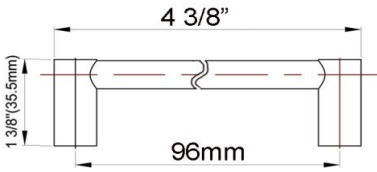
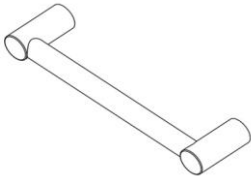
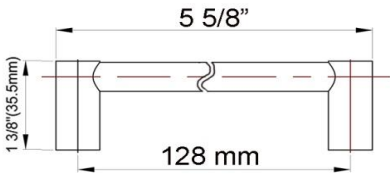
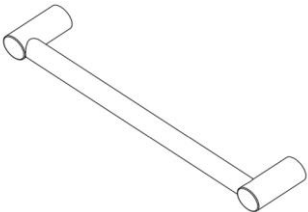
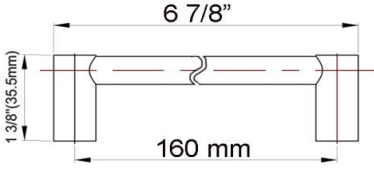


BETTER HOME PRODUCTS

STINSON BEACH COLLECTION SOLID CABINET PULL MATTE BLACK FINISH

		<p>BHP ITEM# BHP200BLK</p> <p>Bar - Solid zinc casted. 12 mm diameter Post - Solid zinc casted . 16 mm diameter Mounting Screw: 8-32 x 1". Slotted-Phillips head opening. Zinc plated. Other lengths available Packaging: Individually polybagged. 25 Pcs / Box, 100 Pcs / Case</p>
		<p>BHP ITEM# BHP201BLK</p> <p>Bar - Solid zinc casted. 12 mm diameter Post - Solid zinc casted . 16 mm diameter Mounting Screw: 8-32 x 1". Slotted-Phillips head opening. Zinc plated. Other lengths available Packaging: Individually polybagged. 25 Pcs / Box, 100</p>
		<p>BHP ITEM# BHP202BLK</p> <p>Bar - Solid zinc casted. 12 mm diameter Post - Solid zinc casted . 16 mm diameter Mounting Screw: 8-32 x 1". Slotted-Phillips head opening. Zinc plated. Other lengths available Packaging: Individually polybagged. 25 Pcs / Box, 100 Pcs / Case</p>
		<p>BHP ITEM# BHP203BLK</p> <p>Bar - Solid zinc casted. 12 mm diameter Post - Solid zinc casted . 16 mm diameter Mounting Screw: 8-32 x 1". Slotted-Phillips head opening. Zinc plated. Other lengths available Packaging: Individually polybagged. 25 Pcs / Box, 100 Pcs / Case</p>
		<p>BHP ITEM# BHP204BLK</p> <p>Bar - Solid zinc casted. 12 mm diameter Post - Solid zinc casted . 16 mm diameter Mounting Screw: 8-32 x 1". Slotted-Phillips head opening. Zinc plated. Other lengths available Packaging: Individually polybagged. 25 Pcs / Box, 100 Pcs / Case</p>