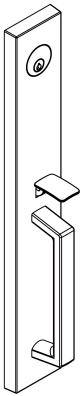
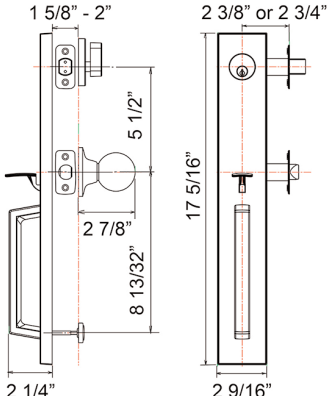


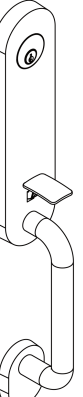
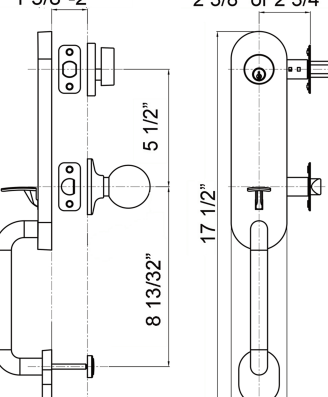
# BETTER HOME PRODUCTS

## HANDLESET SPECIFICATIONS

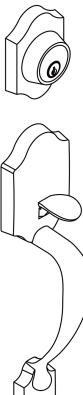
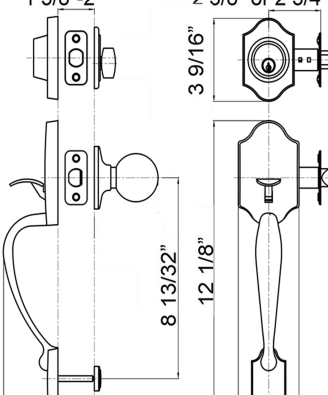
### DOLORES PARK COLLECTION

		<p><b>BHP</b> ITEM#: 80804SB 80811DB 60815SN 80844BLK 80888CH</p> <p><b>Door Prep</b> - Crossbore 2 1/8", edge bore 1", latch face 1" x 2 1/4", bottom bolt hole 3/8"</p> <p><b>Door Thickness</b> - 1 5/8" to 2". Up to 2 1/4" with optional BHP thick door kit</p> <p><b>Function</b> - Deadbolt locked or unlocked by key outside or turn-piece inside. Inside always free. Passage knob and thumb latch always free</p> <p><b>Strikes</b> - 1 Pc 1" x 2 1/4" radius corner and 1 Pc full lip radius corner for Deadbolt. 1 Pc full lip radius corner for Passage</p> <p><b>Latches</b> - 1 Pc 1" throw radius corner 2 3/8" - 2 3/4" adj. Deadbolt latch. 1 Pc 1/2" throw 2 3/8" and 1 Pc 2 3/4" radius corner Passage latch</p> <p><b>Door Handing</b> - Adjustable</p> <p><b>Interior Trim:</b> Ball knob standard. Fits all other BHP knob and lever trims</p> <p><b>Lock Body Material</b> - Solid Brass</p>
---	---	--

### ATHERTON COLLECTION

		<p><b>BHP</b> ITEM#: 70811DB 70815SN 70844BLK 70888CH</p> <p><b>Door Prep</b> - Crossbore 2 1/8", edge Bore 1", latch face 1" x 2 1/4", bottom bolt hole 3/8"</p> <p><b>Door Thickness</b> - 1 5/8" to 2". Up to 2 1/4" with optional BHP thick door kit</p> <p><b>Function</b> - Deadbolt locked or unlocked by key outside or turn-piece inside. Inside always free. Passage knob and thumb latch always free</p> <p><b>Strikes</b> - 1 Pc 1" x 2 1/4" radius corner and 1 Pc full lip radius corner for Deadbolt. 1 Pc full lip radius corner for Passage</p> <p><b>Latches</b> - 1 Pc 1" throw radius corner 2 3/8" - 2 3/4" adj. Deadbolt latch. 1 Pc 1/2" throw 2 3/8" and 1 Pc 2 3/4" radius corner Passage latch</p> <p><b>Door Handing</b> - Adjustable</p> <p><b>Interior Trim:</b> Ball knob standard. Fits all other BHP knob and lever trims</p>
--	--	---

### OCEAN BEACH COLLECTION

		<p><b>BHP</b> ITEM#: 29811DB 29815SN 29888CH</p> <p><b>Door Prep</b> - Crossbore 2 1/8", edge bore 1", latch face 1" x 2 1/4", bottom bolt hole 3/8"</p> <p><b>Door Thickness</b> - 1 5/8" to 2". Up to 2 1/4" with optional BHP thick door kit</p> <p><b>Function</b> - Deadbolt locked or unlocked by key outside or turn-piece inside. Inside always free. Passage knob and thumb latch always free</p> <p><b>Strikes</b> - 1 Pc 1" x 2 1/4" radius corner and 1 Pc full lip radius corner for Deadbolt. 1 Pc full lip radius corner for Passage</p> <p><b>Latches</b> - 1 Pc 1" throw radius corner 2 3/8" - 2 3/4" adj. Deadbolt latch. 1 Pc 1/2" throw 2 3/8" and 1 Pc 2 3/4" radius corner Passage latch</p> <p><b>Door Handing</b> - Adjustable</p> <p><b>Interior Trim:</b> Ball knob standard. Fits all other BHP knob and lever trims</p>
---	---	--