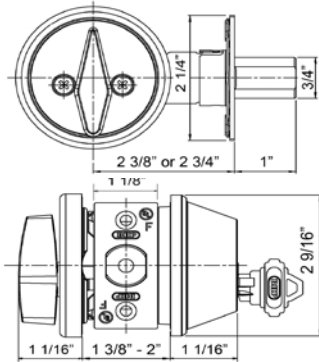
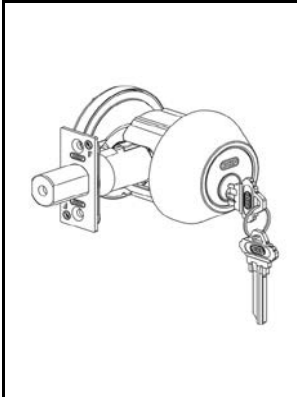


BETTER HOME PRODUCTS

COMMERCIAL GRADE II SINGLE CYLINDER DEADBOLT



BHP ITEM# 30688CH Chrome Finish

Grade II Single cylinder with inner anti-pry shield. UL listed. 3 hour fire rating

Door Prep - Crossbore 2 1/8", Edge Bore 1", Latch face 1 1/8"x2 3/4"
Door Thickness - 1 3/8" to 2"

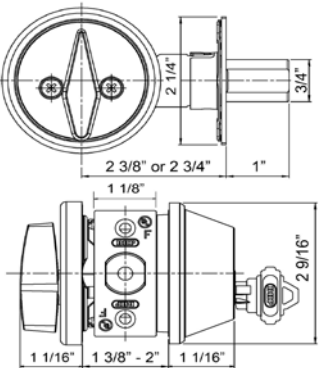
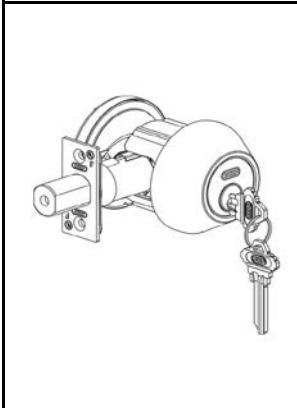
Function: Locked or unlocked by key out side or turn-piece inside.
 Inside always free

Cylinder - 6 pin Schlage C keyway. Other options available

Strike - Packed with 1 Pc 1 1/8"x 2 3/4" square corner strike, 1 Pc 1 1/8"x2 3/4" radius corner wooden frame reinforce strike and 2 Pcs 3" screws. Dust box included. Other options available

Latch - 1" throw bolt, 2 3/8" or 2 3/4" backset adjustable.
 1 1/8" x 2 1/4" square corner face plate standard.

Door Handing - Non-handed



BHP ITEM# 30615SN Satin Nickel Finish

Grade II Single cylinder with inner anti-pry shield. UL listed. 3 hour fire rating

Door Prep - Crossbore 2 1/8", Edge Bore 1", Latch face 1 1/8"x2 3/4"
Door Thickness - 1 3/8" to 2"

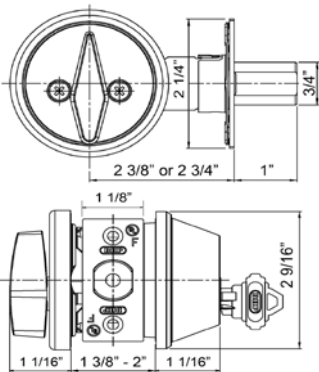
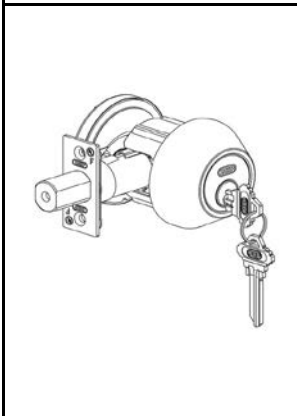
Function: Locked or unlocked by key out side or turn-piece inside.
 Inside always free

Cylinder - 6 pin Schlage C keyway. Other options available

Strike - Packed with 1 Pc 1 1/8"x 2 3/4" square corner strike, 1 Pc 1 1/8"x2 3/4" radius corner wooden frame reinforce strike and 2 Pcs 3" screws. Dust box included. Other options available

Latch - 1" throw bolt, 2 3/8" or 2 3/4" backset adjustable.
 1 1/8" x 2 1/4" square corner face plate standard.

Door Handing - Non-handed



BHP ITEM# 30611DB Dark Bronze Finish

Grade II Single cylinder with inner anti-pry shield. UL listed. 3 hour fire rating

Door Prep - Crossbore 2 1/8", Edge Bore 1", Latch face 1 1/8"x2 3/4"
Door Thickness - 1 3/8" to 2"

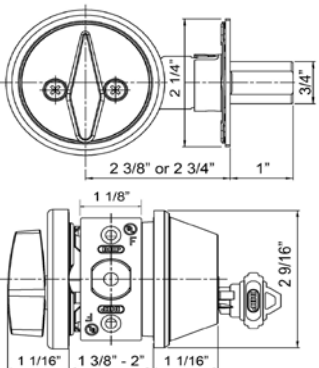
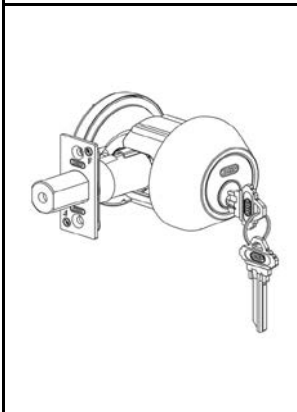
Function: Locked or unlocked by key out side or turn-piece inside.
 Inside always free

Cylinder - 6 pin Schlage C keyway. Other options available

Strike - Packed with 1 Pc 1 1/8"x 2 3/4" square corner strike, 1 Pc 1 1/8"x2 3/4" radius corner wooden frame reinforce strike and 2 Pcs 3" screws. Dust box included. Other options available

Latch - 1" throw bolt, 2 3/8" or 2 3/4" backset adjustable.
 1 1/8" x 2 1/4" square corner face plate standard.

Door Handing - Non-handed



BHP ITEM# 30644BLK Matte Black Finish

Grade II Single cylinder with inner anti-pry shield. UL listed. 3 hour fire rating

Door Prep - Crossbore 2 1/8", Edge Bore 1", Latch face 1 1/8"x2 3/4"
Door Thickness - 1 3/8" to 2"

Function: Locked or unlocked by key out side or turn-piece inside.
 Inside always free

Cylinder - 6 pin Schlage C keyway. Other options available

Strike - Packed with 1 Pc 1 1/8"x 2 3/4" square corner strike, 1 Pc 1 1/8"x2 3/4" radius corner wooden frame reinforce strike and 2 Pcs 3" screws. Dust box included. Other options available

Latch - 1" throw bolt, 2 3/8" or 2 3/4" backset adjustable.
 1 1/8" x 2 1/4" square corner face plate standard.

Door Handing - Non-handed