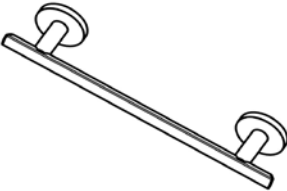
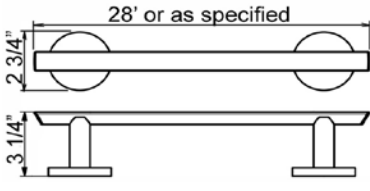
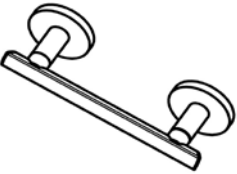
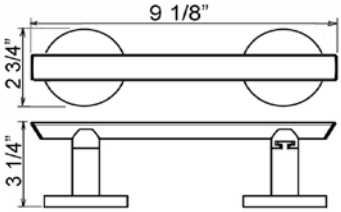

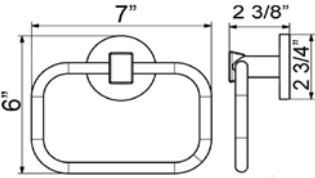
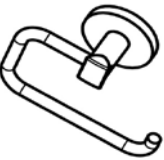
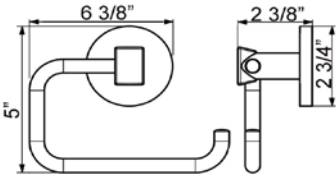

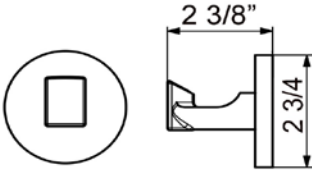


# BETTER HOME PRODUCTS

## BOARDWALK COLLECTION SPECIFICATIONS

### 2600 SERIES CHROME FINISH

		<p><b>BHP</b> ITEM# 2624CH 24" TOWEL BAR SET</p> <p><b>Towel Bar</b> – surface mount, concealed screw application, including 2Pcs steel mounting brackets, 4Pcs #8 x 1 1/4" mounting screws and 4 Pcs plastic anchors</p> <p><b>Posts</b> – electroplated die cast zinc alloy</p> <p><b>Bar</b> – 0.025" wall thickness aluminum. Available in 22", 28" and 36" length ( 18', 24" &amp; 32" C-C)</p>
		<p><b>BHP</b> ITEM# 2609CH PAPER HOLDER</p> <p><b>Paper Holder</b> - surface mount, concealed screw application, including 2Pcs steel mounting brackets, 4Pcs #8 x 1 1/4" mounting screws and 4 Pcs plastic anchors</p> <p><b>Posts</b> - electroplated die cast zinc alloy</p> <p><b>Roller</b> – swing arm. plated metal</p>
		<p><b>BHP</b> ITEM# 2604CH TOWEL RING</p> <p><b>Towel Ring</b> - surface mount, concealed screw application, including 1Pc steel mounting bracket, 2Pcs #8 x 1 1/4" mounting screws and 2 Pcs plastic anchors</p> <p><b>Post</b> - electroplated die cast zinc alloy</p> <p><b>Ring</b> – electroplated aluminum</p>
		<p><b>BHP</b> ITEM# 2607CH EURO STYLE PAPER HOLDER</p> <p><b>Paper Holder</b> - surface mount, concealed screw application, including 1Pc steel mounting bracket, 2Pcs #8 x 1 1/4" mounting screws and 2 Pcs plastic anchors</p> <p><b>Post</b> - electroplated die cast zinc alloy</p> <p><b>Hook</b> – electroplated die cast zinc alloy</p>
		<p><b>BHP</b> ITEM# 2601CH ROBE HOOK</p> <p><b>Robe Hook</b> – surface mount, concealed screw application, including 1 Pc steel mounting bracket, 2Pcs #8 x 1 1/4" mounting screws and 2 Pcs plastic anchors.</p> <p><b>Base &amp; Hook</b> - electroplated die cast zinc alloy</p>