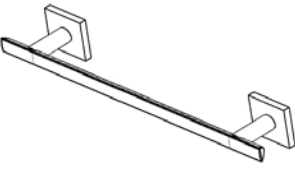
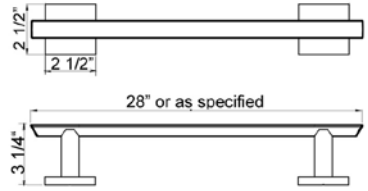
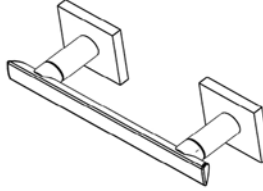
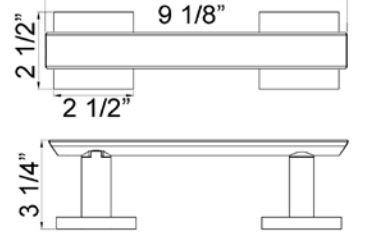
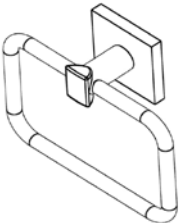
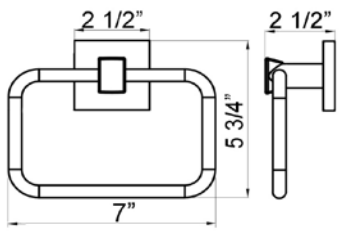
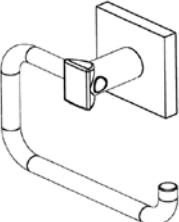
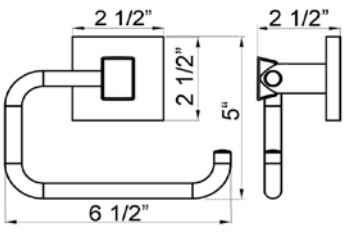
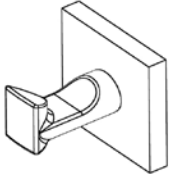
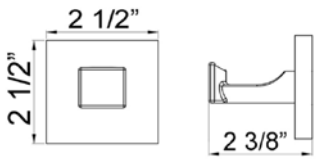


BETTER HOME PRODUCTS

SANTA CRUZ COLLECTION SPECIFICATIONS

9100 SERIES SATIN BRASS FINISH

		<p>BHP ITEM# 9124SB 24" TOWEL BAR SET</p> <p>Towel Bar – surface mount, concealed screw application, including 2Pcs steel mounting brackets, 4Pcs #8 x 1 1/4" mounting screws and 4 Pcs plastic anchors</p> <p>Posts – electroplated die cast zinc alloy</p> <p>Bar – 0.025" wall thickness aluminum. Available in 22", 28" and 36" length (18', 24" & 32" C-C)</p>
		<p>BHP ITEM# 9109SB PAPER HOLDER</p> <p>Paper Holder - surface mount, concealed screw application, including 2Pcs steel mounting brackets, 4Pcs #8 x 1 1/4" mounting screws and 4 Pcs plastic anchors</p> <p>Posts - electroplated die cast zinc alloy</p> <p>Roller – swing arm. plated metal</p>
		<p>BHP ITEM# 9104SB TOWEL RING</p> <p>Towel Ring - surface mount, concealed screw application, including 1Pc steel mounting bracket, 2Pcs #8 x 1 1/4" mounting screws and 2 Pcs plastic anchors</p> <p>Post - electroplated die cast zinc alloy</p> <p>Ring – electroplated aluminum</p>
		<p>BHP ITEM# 9107SB EURO STYLE PAPER HOLDER</p> <p>Paper Holder - surface mount, concealed screw application, including 1Pc steel mounting bracket, 2Pcs #8 x 1 1/4" mounting screws and 2 Pcs plastic anchors</p> <p>Post - electroplated die cast zinc alloy</p>
		<p>BHP ITEM# 9101SB ROBE HOOK</p> <p>Robe Hook – surface mount, concealed screw application, including 1 Pc steel mounting bracket, 2Pcs #8 x 1 1/4" mounting screws and 2 Pcs plastic anchors.</p> <p>Base & Hook - electroplated die cast zinc alloy</p>