

# BETTER HOME PRODUCTS

## EDTL06 SERIES EXIT DEVICE CLUTCH STOREROOM TRIM LEVER



Lifetime Mechanical Warranty  
and 5 Year Finish Warranty



- \* Grade I heavy duty trim lever for exit devices
- \* Stainless steel lever piece and rosette cover
- \* Clutch cylindrical body
- \* 6 Pin solid brass SC "C" keyway cylinder standard
- \* ADA compliant
- \* Full length lever handle
- \* Packed with mounting hardware



### ITEM NUMBERS:

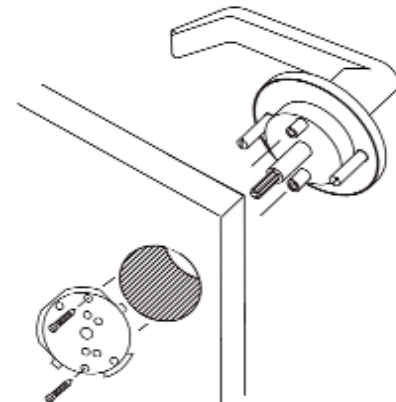
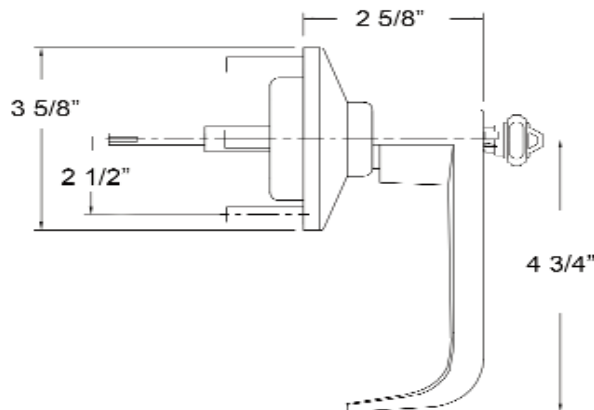
EDTL06STOBLK - Exit device storeroom trim lever -  
Matte Black Finish

EDTL06STOCH - Exit device storeroom trim lever -  
Polished Stainless Steel ( Chrome ) finish

EDTL06STOSN - Exit device storeroom trim lever -  
Brushed Stainless Steel ( SN ) finish

### FEATURES

- \* For use with BHP 300, 400 and 500 series fire-rated and non-fire rated rim latch and vertical rod exit devices
- \* Key operates lever, otherwise always locked
- \* Fits door thickness 1 3/4" to 2 1/4"
- \* Fits and covers 161 cutout
- \* Non-Handed



### CROSS REFERENCE

BHP	CALROYAL	SARGENT	STANLEY
EDTL06	STR05L	28	QRT370