

BETTER HOME PRODUCTS

STINSON BEACH ROMAN TUB FAUCET WITH VALVE SET SPECIFICATIONS



FEATURES:

- * All metal construction. Ceramic disc valves.
- * 3 Hole installation. Valve kit included.
- * Designed to be installed on decks up to 2 1/2" thick.
- * Accepts 1/2" (5/8" OD) Copper sweat connections.
- * 13 gpm (49L / min) flow rate @ 45 psi.
- * Test plug included.

WARRANTY:

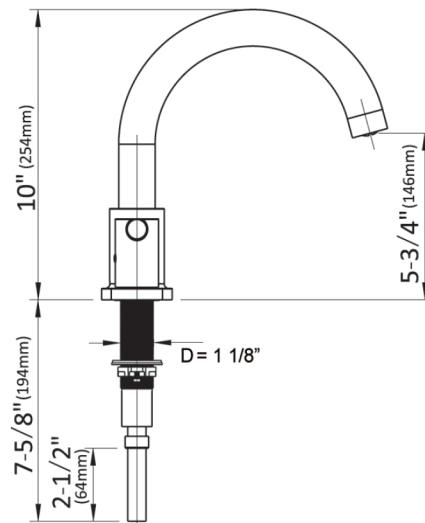
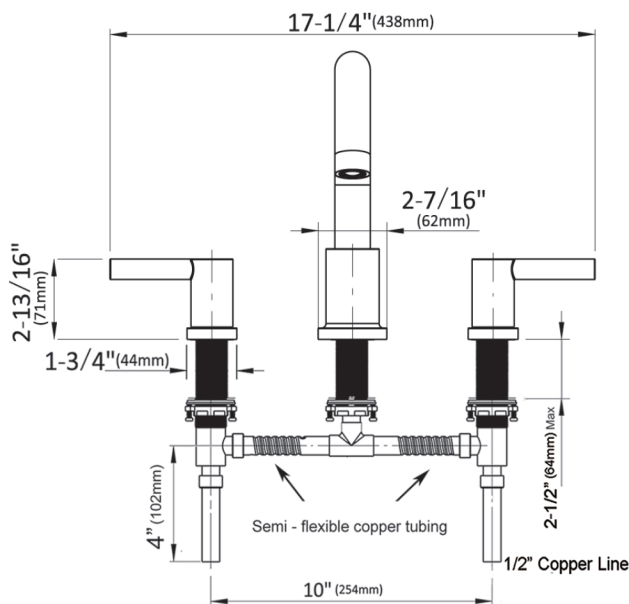
- * Limited lifetime mechanical function warranty against leaks and drips to the original residential homeowner/user.
- * 10 year mechanical function warranty against leaks and drips when used in a multifamily installation.
- * 5 year mechanical function warranty against leaks and drips when used in a commercial installation.
- * 5 year finish warranty on all installation types, on all finishes.

ITEM NUMBERS:

- F93004SB - Satin Brass Finish
- F93011DB - Dark Bronze Finish
- F93015SN - Satin Nickel Finish
- F93044BLK - Matte Black Finish
- F93088CH - Chrome Finish

STANDARDS:

- IAPMO Certified
- ASME A112.18.1 / CSA B125. 1
- EPA WaterSense
- ADA for Lever Handles



CRITICAL DIMENSIONS