
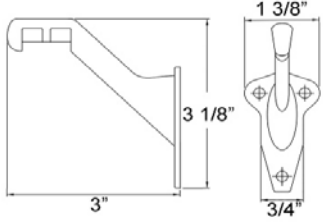

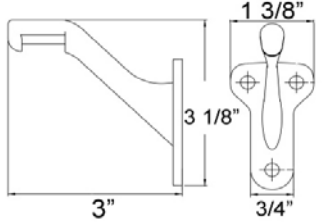
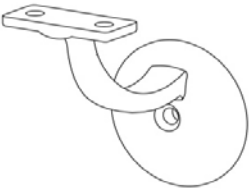
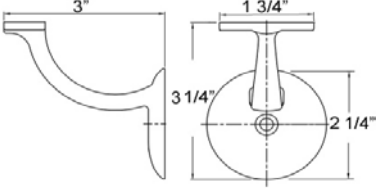


# BETTER HOME PRODUCTS

## HANDRAIL BRACKET SPECIFICATIONS

		<p><b>BHP</b> ITEM# 241DB - Dark Bronze Finish ITEM# 241SN - Satin Nickel Finish</p> <ul style="list-style-type: none"> <li>* All metal construction</li> <li>* Easy installation. Packed with a self adjust rail clamp</li> <li>* Packed in individual poly bag with color matching screws</li> </ul>
		<p><b>BHP</b> ITEM# 141DB - Dark Bronze Finish ITEM# 242BLK - Matte Black Finish ITEM# 541SN - Satin Nickel Finish ITEM# 743PC - Chrome Finish</p> <ul style="list-style-type: none"> <li>* Solid all metal construction</li> <li>* Easy installation. Packed with a self adjust rail clamp</li> <li>* Packed in individual poly bag with color matching screws</li> </ul>
		<p><b>BHP</b> ITEM# 843PC - Chrome Finish ITEM# 844SN - Satin Nickel Finish ITEM# 847BLK - Matte Black Finish ITEM# 848DB - Dark Bronze Finish</p> <ul style="list-style-type: none"> <li>* Decorative Design</li> <li>* Solid all metal construction</li> <li>* Easy installation</li> <li>* Packed in individual poly bag with color matching screws</li> </ul>