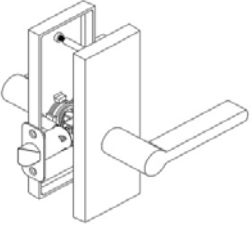
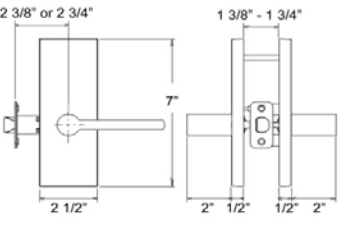
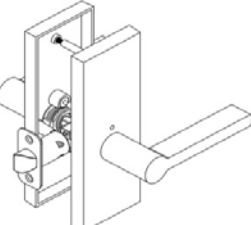
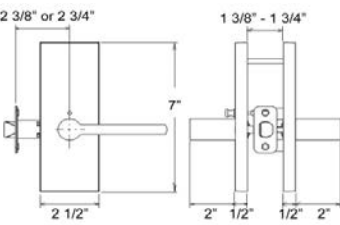
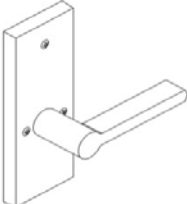
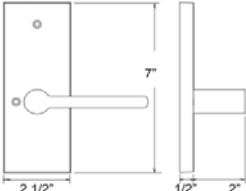
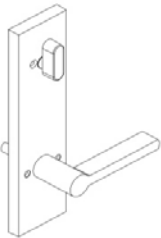
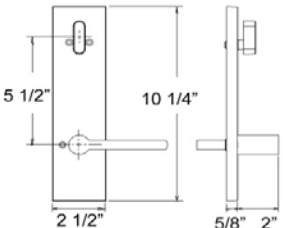
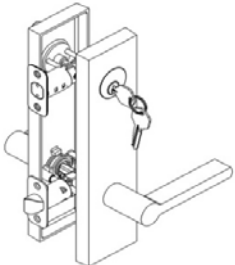
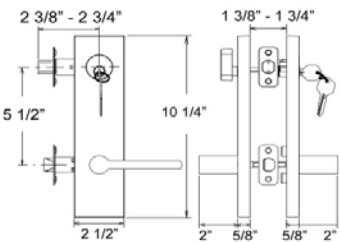


BETTER HOME PRODUCTS

HILLSBOROUGH COLLECTION SPECIFICATIONS

DARK BRONZE FINISH

		<p>BHP ITEM# BP01PAS11DB - Passage Set</p> <p>BHMA Grade III passage set. Solid zinc cast construction. Door Prep - Crossbore 2 1/8", Edge Bore 1", Latch Face 1"x2 1/4" Door Thickness - 1 3/8" to 1 3/4" Function: Both levers always free Strike - Full lip radius corner standard. Other options available Latch - 1/2" throw bolt, 2 3/8" or 2 3/4" backset adjustable. Radius corner face plate standard. Other options available Door Handing - Reversible</p>
		<p>BHP ITEM# BP01PRIV11DB - Privacy Set</p> <p>BHMA Grade III privacy set. Solid zinc cast construction. Door Prep - Crossbore 2 1/8", Edge Bore 1", Latch Face 1"x2 1/4" Door Thickness - 1 3/8" to 1 3/4" Function - Outside lever locked by push button inside, inside lever always free. Also can be opened by emergency key out side Strike - Full lip radius corner standard. Other options available Latch - 1/2" throw bolt, 2 3/8" or 2 3/4" backset adjustable. Radius corner face plate standard. Other options available</p>
		<p>BHP ITEM# BP01DUM11DB - Dummy Lever</p> <p>BHMA Grade III dummy lever. Solid zinc cast construction. Door Prep - Surface mounted with 2 exposed mounting screws. No door prep needed Door Thickness - greater than 1" Function: Active lever, for doors where only a pull / push is required. Door Handing - Reversible</p>
		<p>BHP ITEM# BP01TRIM11DBRT/LT - Handleset Trim Plate</p> <p>BHMA Grade III handleset trim lever, works for all BHP offering handlesets (5.5" C-C). Solid zinc cast construction. Door Prep - See BHP handleset door prep Door Thickness - 1 3/8" to 1 3/4" Function: Lever always free Door Handing - Handed.</p>
		<p>BHP ITEM# BP01DEA11DB - Deadbolt Passage Set</p> <p>All metal components with inner anti-pick shield Door Prep - Crossbore 2 1/8", Edge Bore 1", Latch Face 1"x2 1/4" Door Thickness - 1 3/8" to 1 3/4" Center to Center: 5.5" Function: Locked or unlocked by key out side or turn-piece inside. Cylinder - 5 pin KW1 keyway. Other options available Strike - Full lip radius corner standard. Other options available Latch - 2 3/8" or 2 3/4" backset adjustable. Radius corner face plate standard. Other options available</p>