
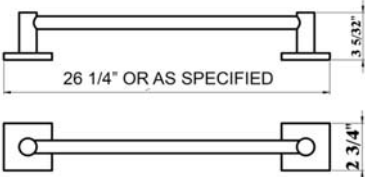

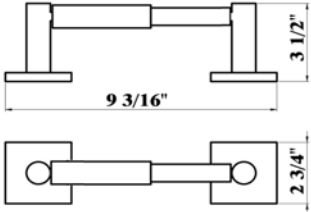

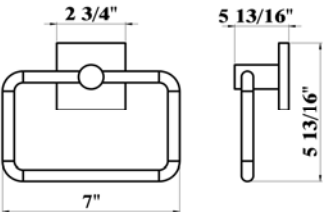
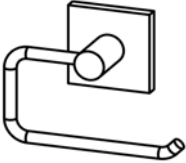
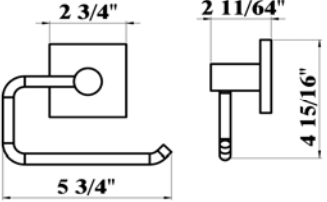
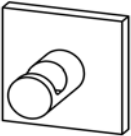
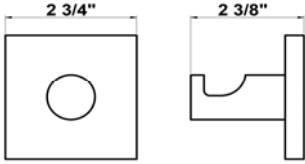


BETTER HOME PRODUCTS

TIBURON COLLECTION SPECIFICATIONS

9500 SERIES OIL RUBBED BRONZE FINISH

		<p>BHP ITEM# 9524DB 24" TOWEL BAR SET</p> <p>Towel Bar – surface mount, concealed screw application, including 2Pcs steel mounting brackets, 4Pcs #8 x 1 1/4" mounting screws and 4 Pcs plastic anchors</p> <p>Posts – electroplated die cast zinc alloy</p> <p>Bar – 3/4" OD, 0.025" wall thickness aluminum. Available in 18", 24" and 32" length</p>
		<p>BHP ITEM# 9509DB PAPER HOLDER</p> <p>Paper Holder - surface mount, concealed screw application, including 2Pcs steel mounting brackets, 4Pcs #8 x 1 1/4" mounting screws and 4 Pcs plastic anchors</p> <p>Posts - electroplated die cast zinc alloy</p> <p>Roller – plated metal roller with spring tension</p>
		<p>BHP ITEM# 9504DB TOWEL RING</p> <p>Towel Ring - surface mount, concealed screw application, including 1Pc steel mounting bracket, 2Pcs #8 x 1 1/4" mounting screws and 2 Pcs plastic anchors</p> <p>Post - electroplated die cast zinc alloy</p> <p>Ring – electroplated aluminum</p>
		<p>BHP ITEM# 9507DB EURO STYLE PAPER HOLDER</p> <p>Paper Holder - surface mount, concealed screw application, including 1Pc steel mounting bracket, 2Pcs #8 x 1 1/4" mounting screws and 2 Pcs plastic anchors</p> <p>Post - electroplated die cast zinc alloy</p>
		<p>BHP ITEM# 9501DB ROBE HOOK</p> <p>Robe Hook – surface mount, concealed screw application, including 1 Pc steel mounting bracket, 2Pcs #8 x 1 1/4" mounting screws and 2 Pcs plastic anchors.</p> <p>Base & Hook - electroplated die cast zinc alloy</p>